

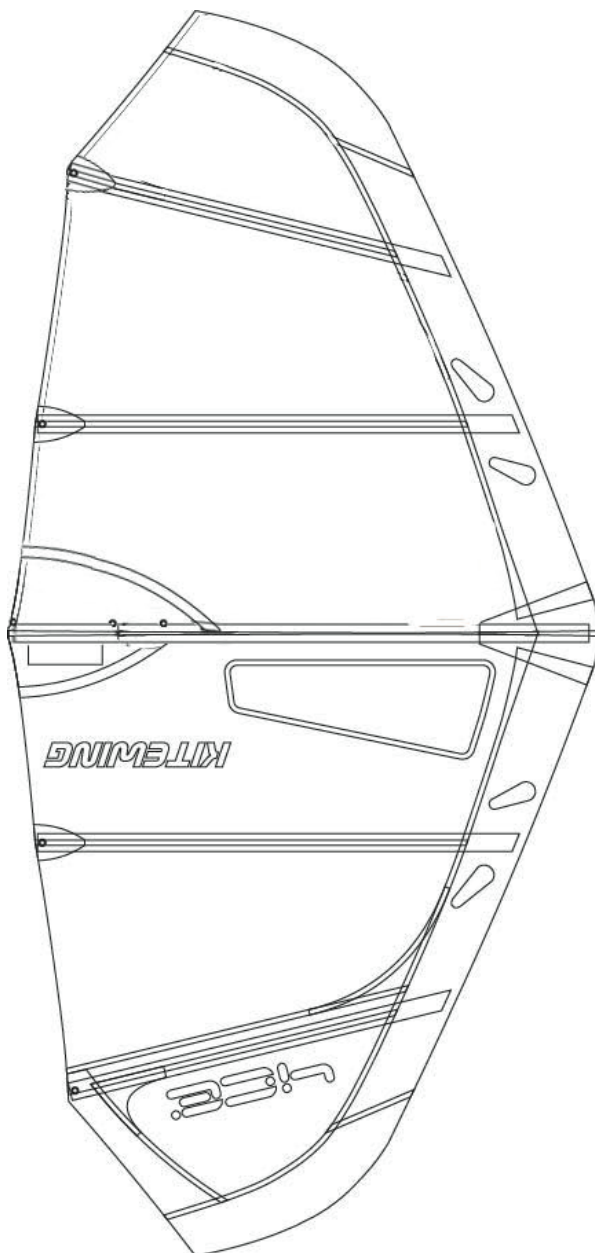
The New 4.0

We improved the old 4CE wing. The new 4.0 includes options and upgrades.

Options include all carbon or fiberglass and aluminum frame sets or a hybrid frame specific for use in the water.

Upgrades include broad seam shape for a full wing with more camber for power on the water. Extra grommets have been added for a laced reflex. The sail is built from Ezzy X ply which tensions to a stable shape with less distortion.

The new Kitewing 4.0 should be a better heavy air performer. Compared to the 3.0 the extra batten makes the 4.0 tension to a stiff and stable set less susceptible to distortion at high wing loads.



The graphic depicts a rough comparison between the old sail and the new sail.